



Softgel Machine

1. Pharmaceutical & Nutraceutical
2. Easy maintenance
3. Anodizing aluminum and stainless steel frame
4. Contact part with stainless steel 316 or 304
5. Complying with GMP for various safety standard
6. Digital die roll pressure indicator (Load- cell)
7. Metering Pump
8. Complying with TIR securely



500R

SPECIFICATION

Dimension: 2,714(L) x 1,166(W) x 2,292(H) mm

Weight: 1,800 KG

Electric Power: AC 220, 380, 440 V / 50,60 Hz / 3 Ph

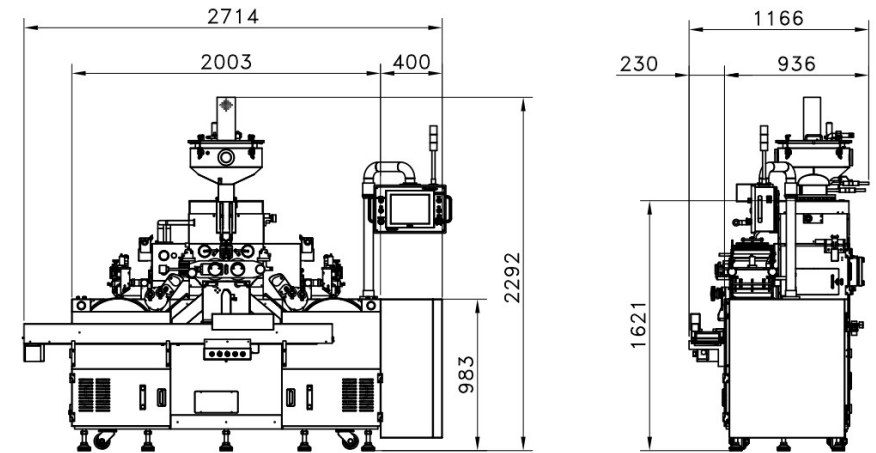
Power Consumption: 21 kW

Die Roll Speed: 5 rpm

Compressed Air: 5 kg f/cm²

Die Roll Size: Ø150 x 250 mm

Productivity: AVG. 64,600 caps/hr at 4.5 rpm (Ob#20)



Medicine Filling Adjustable Knob



Metering Pump



Spreader Box